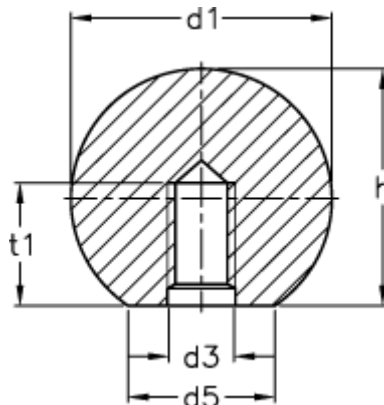


Article number: 20126410RT

Description: E+G Ball knob DIN 319-KU-20-M5-C-RT

## Measures

---



d1	= 20
d3	= M5
d5	= 12
h	= 18.0
t1 min.	= 9.0